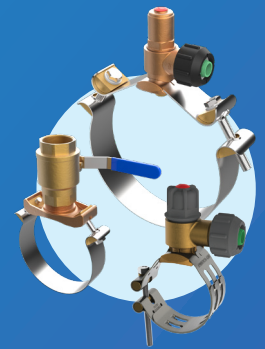


# Protecta-Line ferrule off-takes

Nominal diameters 63mm – 355mm

For installing live service off-takes in sizes 25mm, 32mm and 63mm on Protecta-Line mains pipes.



## Range / pressure rating

Diameter size (mm)	SDR	Outlet pressure rating
25mm off-take: 63 - 355mm mains	11, 17	12.5 bar water
32mm off-take: 63 - 355mm mains		
63mm off-take: 90 - 355mm mains		

## Materials

### Material

The fittings are manufactured from DZR brass and 316 Stainless Steel.

Off-take connections are made from black acetal.

All seals are made from WRAS approved grades of EPDM.

## Standards / approvals

**BS EN 8588** (BSI Kitemark Certificate 695717)

Polyethylene pressure pipe with an aluminium barrier layer and associated fittings for potable water supply in contaminated land

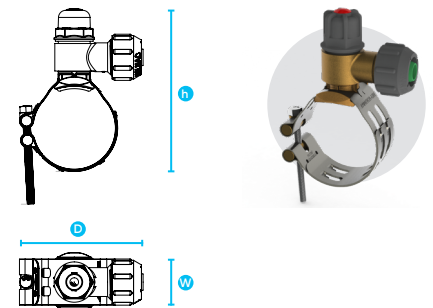
**BS EN 12201-3**

Plastic piping systems for water supply, and for drainage and sewerage under pressure – Polyethylene (PE) Fittings.

**WRAS  
Approved**

## 25mm and 32mm outlet ferrules

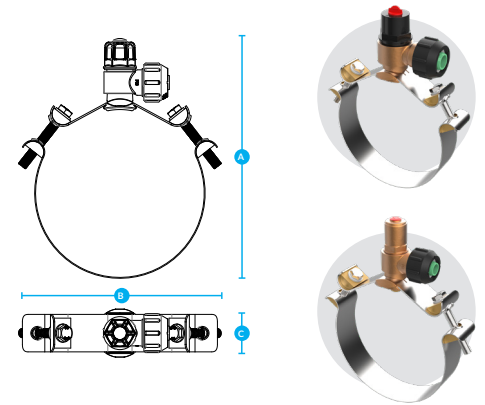
Size	SDR	h (mm)	D (mm)	W (mm)	Weight (Kg)	Product code
63x25mm	11	150	124	64	0.7	44763412
90-125X25mm	17/11*	178	135	64	0.8	44763393
160-180X25mm	17/11*	248	179	64	0.8	44763397
63X32mm	11	179	132	64	1.1	44763415
90-125X32mm	17/11*	206	142	64	1.1	44763417
160-180X32mm	17/11*	276	178	64	1.2	44763421



\*An additional cutter is required when ferrules are installed on SDR11 125mm and 180mm Protecta-Line pipe. For further information, please contact our customer services team on: +44 1480 44 2600.

## 25mm and 32mm outlet ferrules (continued)

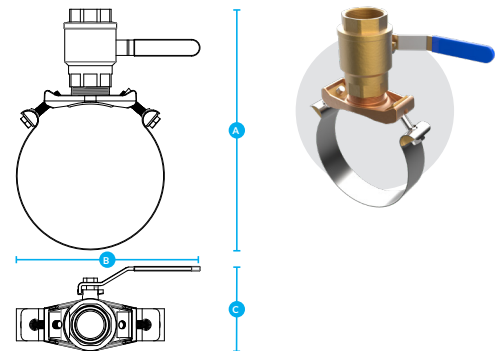
Size	SDR	Dimensions (mm) (A X B X C)	Weight (Kg)	Product code
225X25mm	17	320x270x65	1.58	44763400*
250X25mm	17	345x270x65	1.61	44763401*
280X25mm	17	375x290x65	1.65	44763402*
315X25mm	17/11	415x318x65	1.87	44763403
355X25mm	17/11	455x358x65	1.95	44763404
225X32mm	17	338x270x65	1.94	44763424*
250X32mm	17	363x270x65	1.97	44763425*
280X32mm	17	393x283x65	2.01	44763426*
315X32mm	17/11	428x318x65	2.14	44763427
355X32mm	17/11	468x358x65	2.22	44763428



\*When installing on SDR11 Protecta-Line pipe, a 25mm (product code: 44794005) or 32mm (product code: 44794006) pre-cutter is required.

## 63mm outlet ferrule off-takes

Size	SDR	Dimensions (mm) (A X B X C)	Weight (Kg)	Product code
90X63mm	17/11	240x156x132	3.40	44763459
110X63mm	17/11	260x175x132	3.40	44763460
125X63mm	17/11	275x185x132	3.40	44763461
160X63mm	17/11	31x205x132	3.40	44763463
180X63mm	17/11	31x210x132	3.40	44763464
225X63mm	17/11	375x231x132	3.43	44763466
250X63mm	17/11	400x256x132	3.45	44763467
280X63mm	17/11	31x286x132	3.47	44763468
315X63mm	17/11	428x318x65	2.14	44763469
355X63mm	17/11	468x358x65	2.22	44763470



\*Installation of 63mm outlet ferrules requires Protecta-Line SS strap drill head (product code 44794008) which comes with a 44mm cutter and Protecta-Line SS strap liner head (product code 44794009).